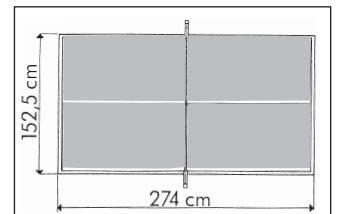
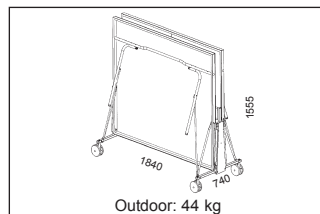
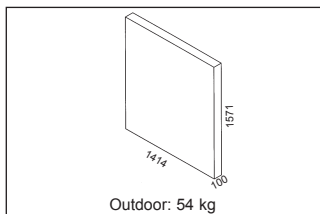


TECTONIC

TECTO

OUTDOOR



Réf 190505 Outdoor Bleu / Blue / Blau / Blauw / Blu / Azul

F

Notice de montage et d'utilisation

Document à conserver

GB

Assembly and operating instructions

Please keep for future reference

D

Benutzung und Montageanleitung

Das Document ist aufzubewahren

NL

Gebruik en montage aawijzingen

Goed bewaren

I

Istruzioni di montaggio e di utilizzo

Documento da conservare

SP

Instrucciones de montaje y de utilizacion

Documento a conservar

Thank you for choosing a Cornilleau Table Tennis Table, and we would like to give you some advice for the best use of your table. Prior to assembly or use, please read these instructions carefully.

TECHNICAL CHARACTERISTICS

- ⇒ **Outdoor tabletop:** 4 mm laminate resin tabletop with steel frame 40mm.
- ⇒ **Security:** Automatic locking of table in use and storage position.
- ⇒ **Compact:** In storage position, the height is limited to 1.55 m, the tabletops are coupled and the centre of gravity is very low.

STANDARD

This table conforms to the following standards:
 ⇒ EN NORM 14468-1

SAFETY



ATTENTION: Any person handling or using this table must follow the instructions opposite and read this notice.
 • The person in charge of assembling and using this table must ensure that the recommendations for use given in this notice are seen by all users. In communal use, it is strongly recommended that the instructions and diagrams are displayed.

- Only use this table after it has been fully assembled, and after checking that the safety systems are working properly.
- Users must report any defects and faults in the safety systems, and immediately replace faulty parts and not use the table until it has been fully repaired.



• Assembly, positioning and storage must be carried out by an adult or under the direct supervision and responsibility of an adult. Do not leave children unattended around the table. By their very nature, children love playing and if they use the table tennis table for other purposes, they may put themselves in danger or unforeseeable situations. The manufacturer will not be liable for any injury caused through misuse of the table.

GAME

Manuals on how to play table tennis as a sport are available from bookshops.

ASSEMBLY

The table must be assembled by at least **2 adults** following the numerical order of the assembly instructions. Before assembling, please check that all the correct parts are contained in the package. The quantities indicated make it possible to go through the operations necessary for each assembly stage. Use the tools recommended on page 9.

PRECAUTIONS

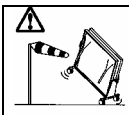


INDOOR OR OUTDOOR

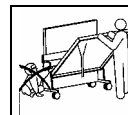
Only **OUTDOOR** tables will withstand outside climatic conditions (rain, humidity, frost, sun, etc.). Even with a cover, **INDOOR** tables can be damaged if used or stored outside.



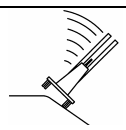
Do not sit or stand on the table, because of the risk of collapse.



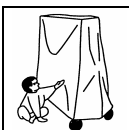
Wind may make the table tip over, damage it or, more seriously, cause personal injury. Take the necessary precautions.



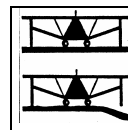
Risk of pinching whilst handling.



Moving the table on a sloping surface may cause the table to tip over, damage it or, more seriously, lead to injury. Take the necessary precautions.

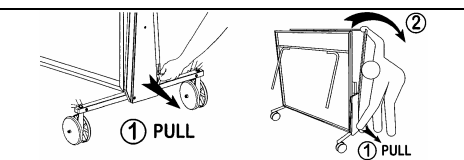


It is recommended that you use our protective cover, which will provide additional safety for your children.



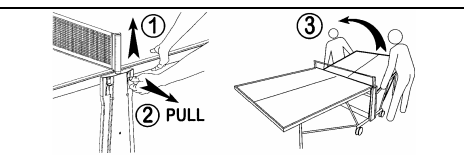
On uneven surfaces, one or more legs may not rest on the ground. It is recommended that the table is moved to a more level surface or else wedge the legs.

HANDLING



TO LOWER THE LEAVES

- 1) Pull the locking strip located on the lower right side panel just above the wheels.
- 2) Lower the leaf down to the game position. Do not allow it to fall, as this might damage your table.
- 3) For improved safety and greater playing convenience, check that the locking system is engaged. Failing this, raise the tabletop from each side of the net.



TO LIFT THE TABLETOPS

- The following instructions have to be simultaneously carried out by 2 adults.
- 1) Lift the top up.
 - 2) Pull the locking strip of the top you want to fold up. The strip is located on the higher side panel next to the net post.
 - 3) For your safety, check that the tabletop is properly locked.

AFTER-SALES

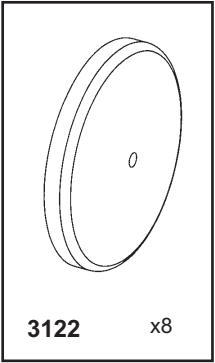
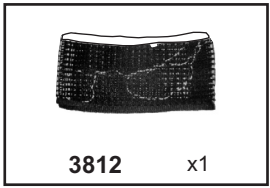
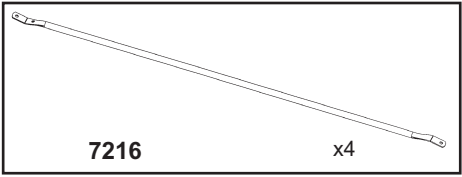
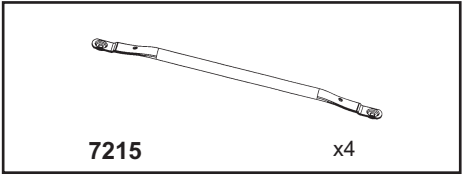
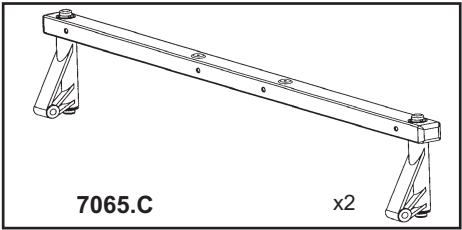
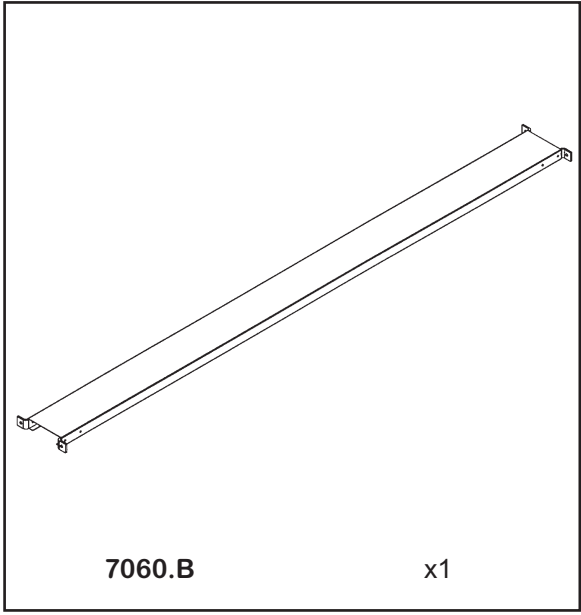
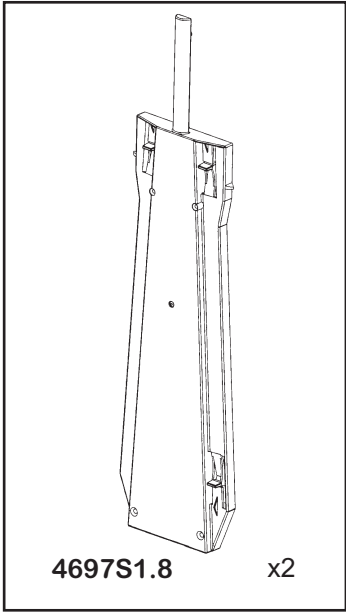
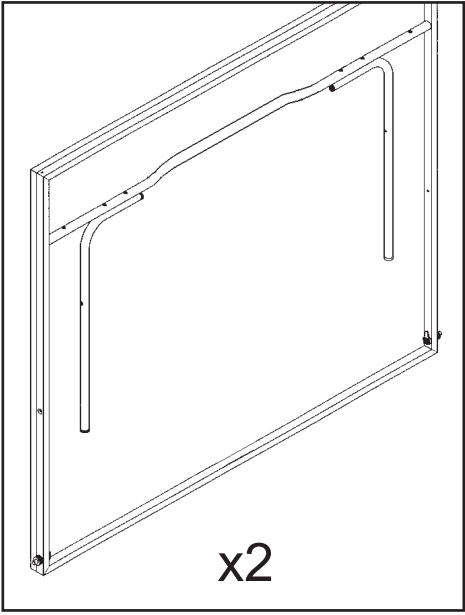
Keep these instructions and refer to them during maintenance operations and when ordering spare parts from the parts list on the last page. To facilitate processing of orders for spare parts, indicate the type of table and the **series number** to be found on the underside of the tabletop in the top left hand corner. For maintenance on the game surface, do not use aggressive products (abrasives, solvents or acids); we recommend our **regenerative cleaner**.











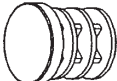

WARRANTY

All tables manufactured by us come with a 2-YEAR warranty as from the date of purchase. The warranty is limited to defective parts acknowledged as faulty by ourselves, and does not apply to damage caused by:
For indoor and outdoor tables: Assembly not conforming to these instructions, not complying with the instructions for use and safety, normal wear of parts, lack of maintenance, use of aggressive products, use of aggressive products for maintenance, wind causing the table to fall in the storage position, freewheeling or return to game position and, more generally, a cause detrimental to the quality of the table (impact, falls, etc.).
For indoor tables: using abrasive plastic balls, prolonged exposure to the sun, excessive humidity and rain.
 The following are not covered under the warranty: Costs of carriage of faulty parts, visit by a technician, labour, indemnities in cash or in kind for immobilisation of the table during the warranty period.
Any claim must indicate the type of table, the series number that is to be found on the underside of the tabletop and the part(s) in question, and it must be accompanied by a proof of purchase showing the date of purchase.

Non-compliance with the above instructions for use may result in damage to the table or injury and excludes any liability of the manufacturer. Cornilleau SA make constant improvements to the product, the manufacturer reserves the right to make technical and dimensional modifications without these instructions being binding on us.

CONTENU DU COLIS	THIS BOX CONTAINS	INHALT DES PAKETS
INHOUD VAN DE DOOS	CONTENUTO DEL CARTONE	CONTENIDO DEL PAQUETE



2727	
<p>1121X4</p>  <p>Ø8 1121 x4</p>	<p>1288X4</p>  <p>Ø6x15x6 1288 x4</p>
<p>1033X4</p>  <p>Ø8x80 1033 x4</p>	<p>1830X8</p>  <p>Ø6x35 1830 x8</p>
<p>1140X8</p>  <p>Ø6 1140 x8</p>	<p>1296X4</p>  <p>Ø6x15x21 1296 x4</p>
<p>1713X4</p>  <p>Ø6x55 1713 x4</p>	<p>1836X4</p>  <p>Ø6x70 1836 x4</p>
<p>1120X24</p>  <p>Ø6 1120 x24</p>	<p>1834X8</p>  <p>Ø6x55 1834 x8</p>
<p>4320X8</p>  <p>4320 x8</p>	<p>1810X4</p>  <p>Ø5x25 1810 x4</p>



MONTAGE**ASSEMBLY****MONTAGE****MONTAGE****MONTAGGIO****MONTAJE**

Montage de toutes les phases à 2 personnes.
 Assembly during all stages with 2 people.
 Für die Montage sind 2 Personen von Vorteil.

Montage van alle fasen met 2 personen.
 Il montaggio richiede 2 persone in tutte le fasi.
 Montaje de todas las fases a 2 personas.



13



10



13



10



Laisser du jeu

Leave a little play

Es ist ein Spiel zu lassen

Laat wat speling

Lasciare del gioco

Dejar holgura



x2

Repetir l'opération (x) fois

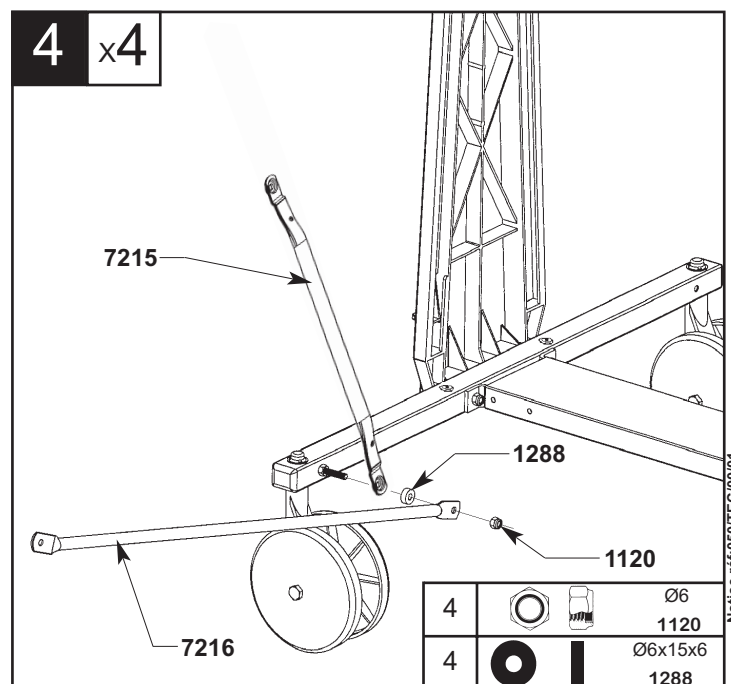
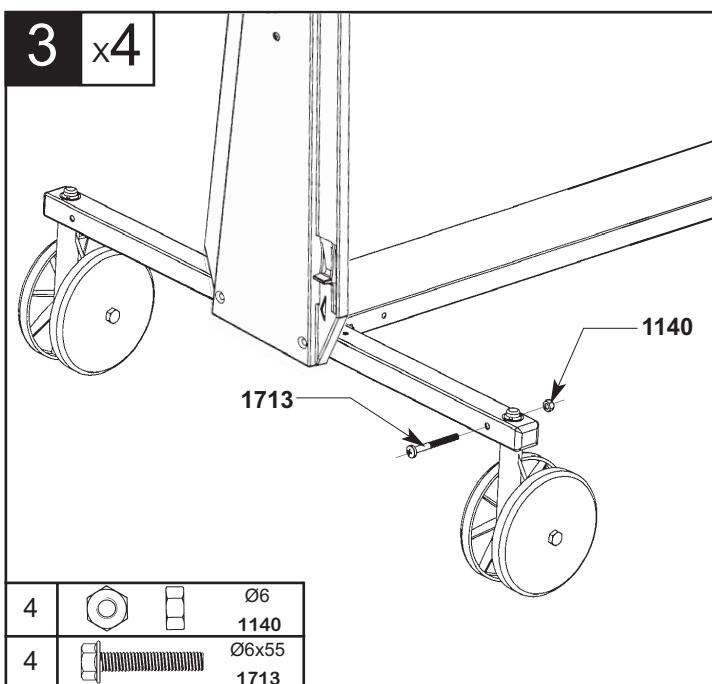
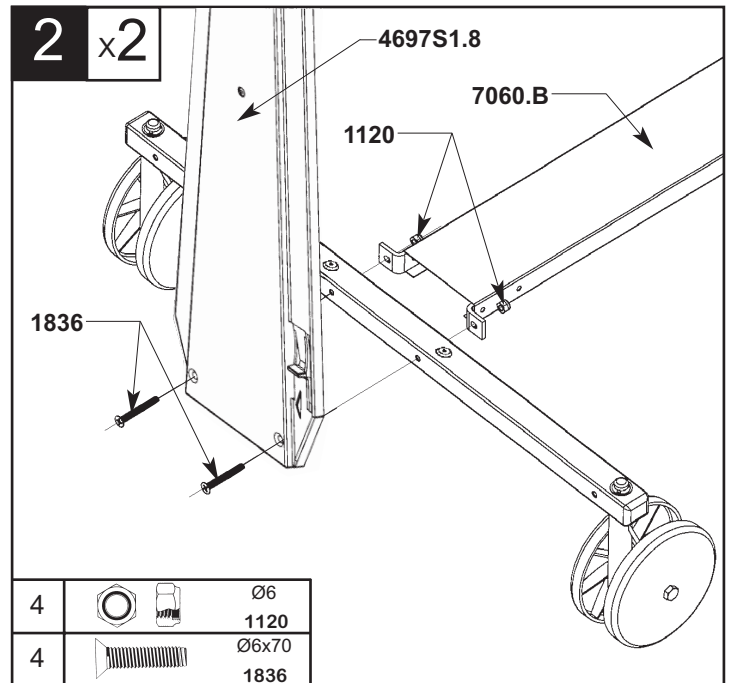
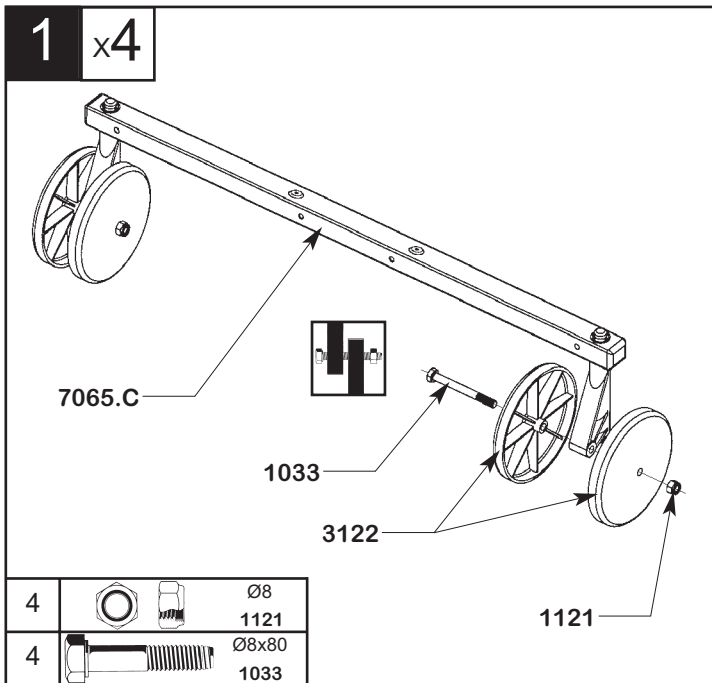
Repeat operation (x) times

Wiederholen Sie diesen Vorgang (x) mal

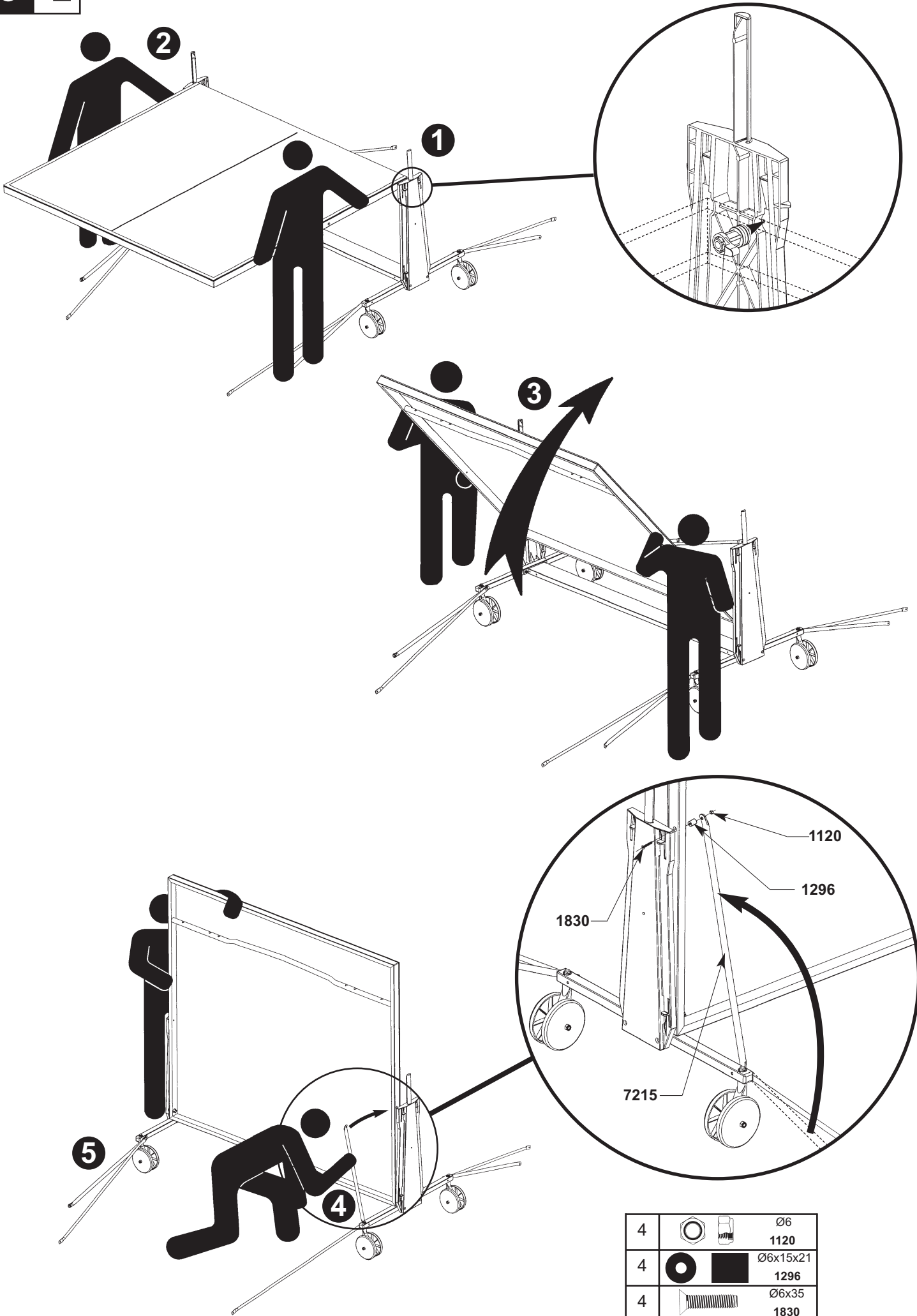
Deze handeling (x) maal herhalen




Operazione da ripetere (x) volte

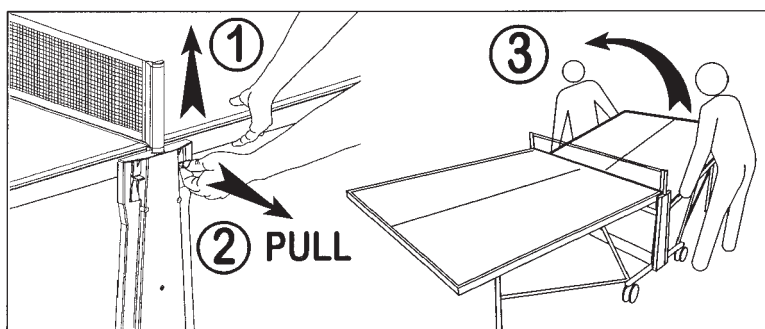
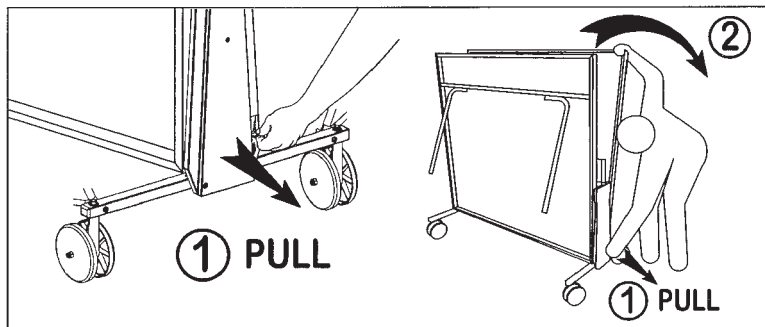
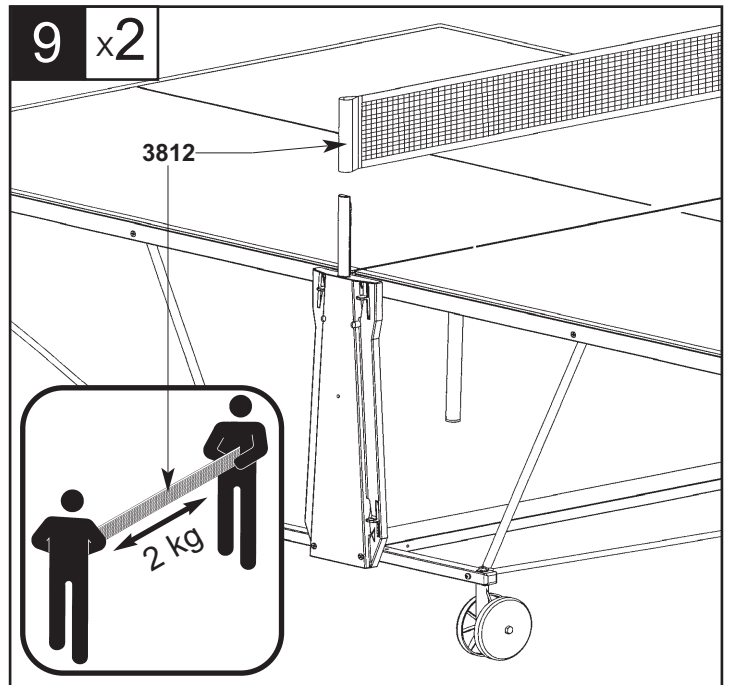
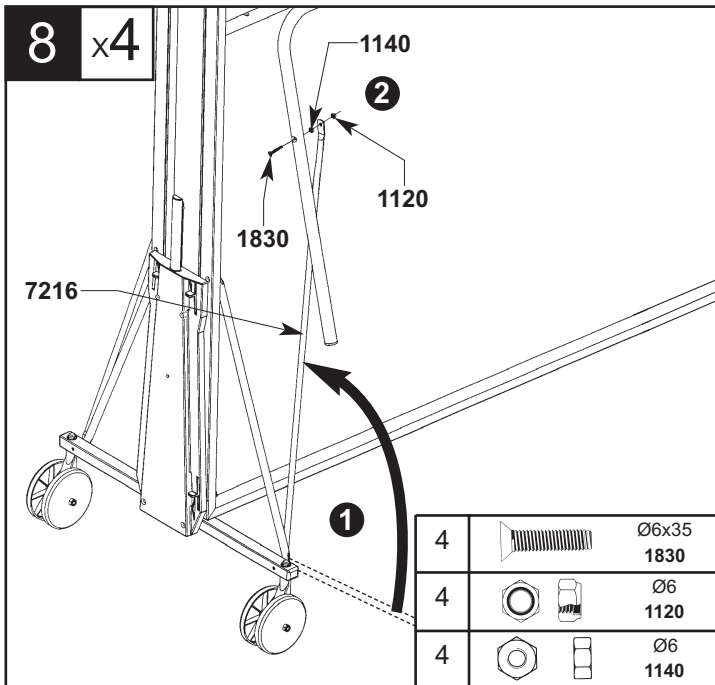
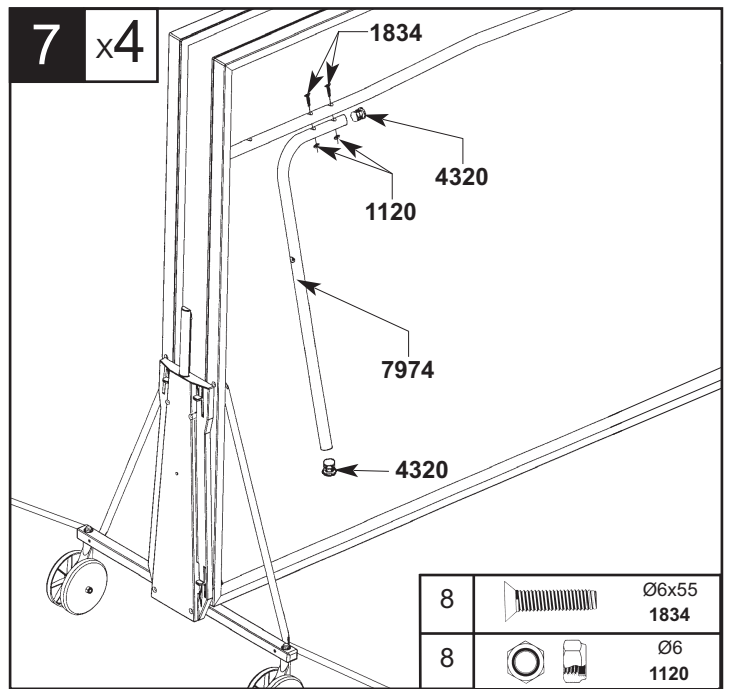
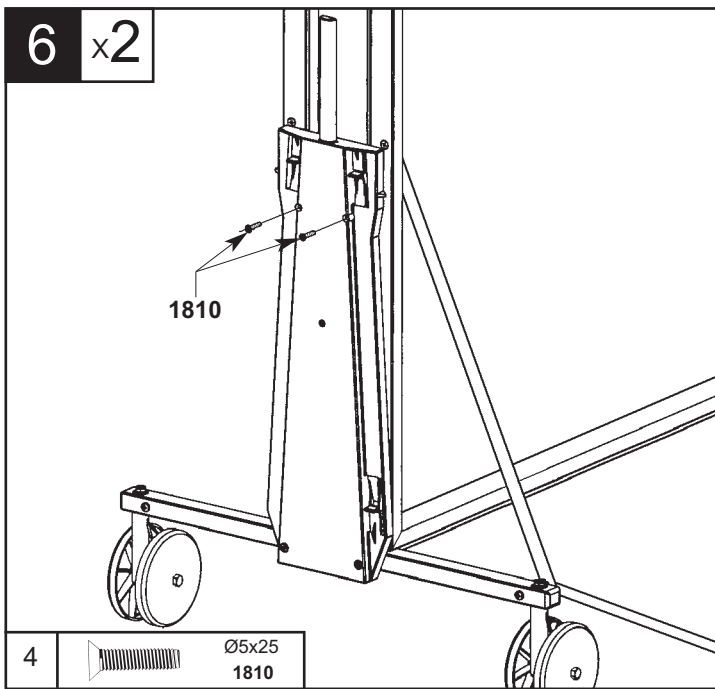
Repetir la operacion (x) veces



5 x2



4		Ø6 1120
4		Ø6x15x21 1296
4		Ø6x35 1830

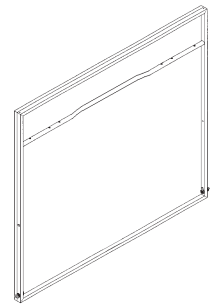
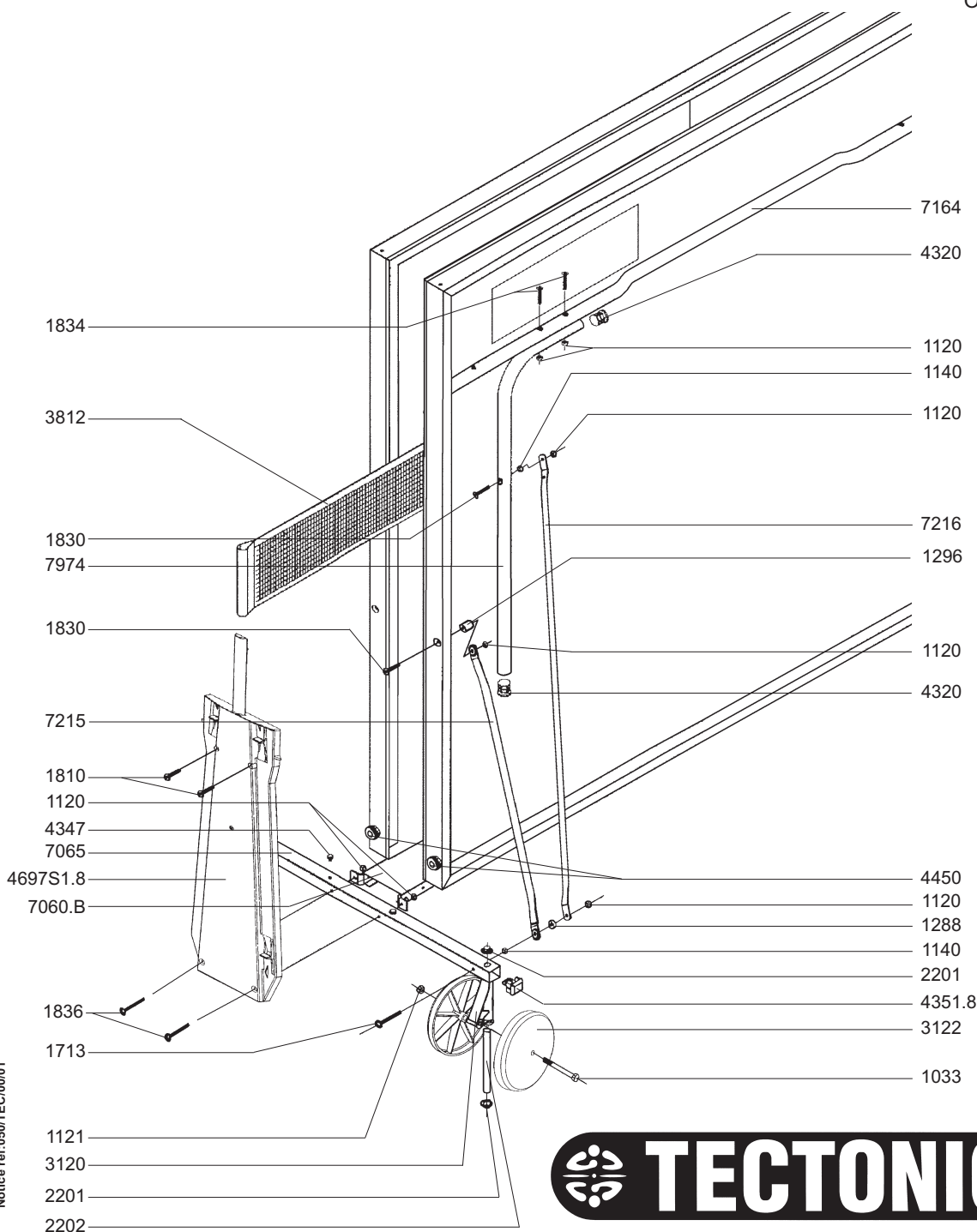


TECTO

Réf 190505 Outdoor Bleu / Blue / Blau / Blauw / Blu / Azul

NOMENCLATURE DES PIÈCES DÉTACHÉES	SPARE PARTS LIST	VERZEICHNIS DER ERSATZTEILE
LIJST VAN ONDERDELEN	NOMENCLATURA DEI PEZZI DI RICAMBIO	NOMENCLATURA DE LAS PIEZAS DE RECAMBIO

OUTDOOR BLEU PL190505/1



	Ø8x80 1033
	Ø6 1140
	Ø6 1120
	Ø8 1121
	Ø6x15x6 1288
	Ø6x15x21 1296
	Ø6x55 1713
	Ø5x25 1810
	Ø6x35 1830
	Ø6x55 1834
	Ø6x70 1836